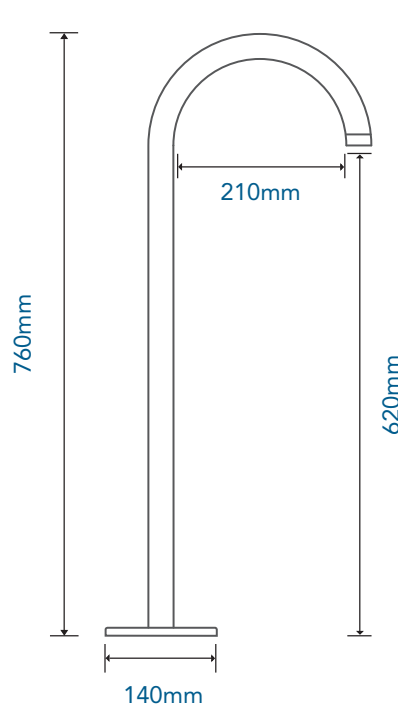
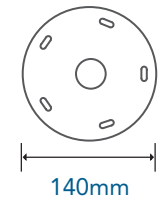


BATH SPOUTS

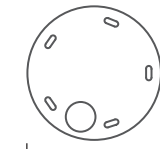
BLACK POWDER COATED FLOOR MOUNTED - BBS051



32mm
(Diameter)



140mm
STANDARD
BASE MOUNT



140mm
OFFSET
BASE MOUNT

MOUNTING INSTRUCTIONS

1. Remove Inner tube.
2. Position spout.
3. Mark holes and drill (10mm x 50mm deep).
4. Insert plastic tube into spout and check inner tube length.
5. Remove tube, trim to suit, ensure tube reaches step at water outlet.
6. Connect male $\frac{3}{4}$ inch BSP to female $\frac{3}{4}$ BSP.
7. Place spout over tube and fasten onto the concrete floor.

