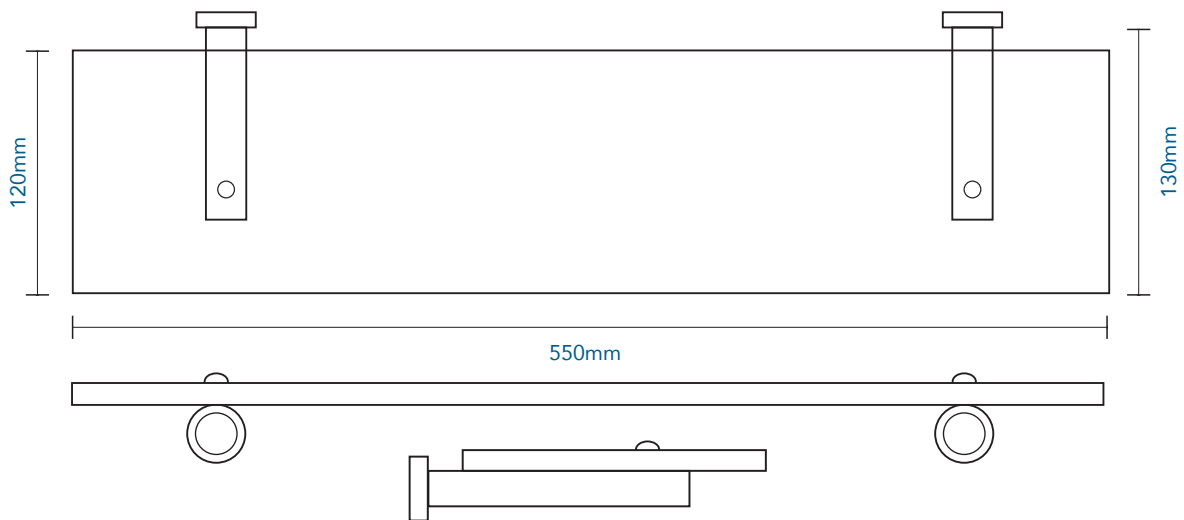


BRUSHED SLIMLINE RANGE

GLASS SHELF 550 X 120MM - SL055

Our products are made from high quality materials and are easy to install. All fixings, mounting templates where necessary supplied, and are designed to stay fixed no matter what. If you need a little extra help, you can contact our factory's helpline on 021 593 8528.



MOUNTING INSTRUCTIONS

